

Features

- 2 way NC pilot valves for dust collector service.
- Normally closed direct acting.
- Rugged forged brass body construction.
- Designed for water-tight panel mounting.
- Compact, low weight construction.

Construction

| Valve Parts in Contact with Fluids | |
|------------------------------------|----------------------|
| Body | Brass |
| Core Tube | Stainless Steel |
| Core and Plugnut | Stainless Steel |
| Seals and Discs | NBR (nitrile/buna-n) |
| Springs | Stainless Steel |
| Shading Coil | Copper |

Electrical

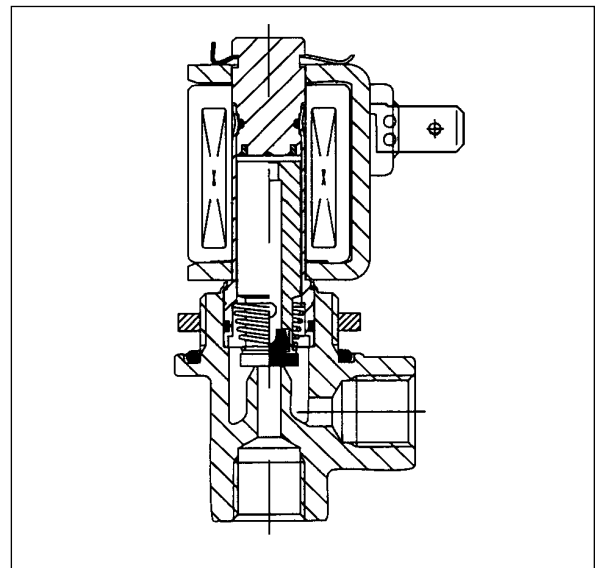
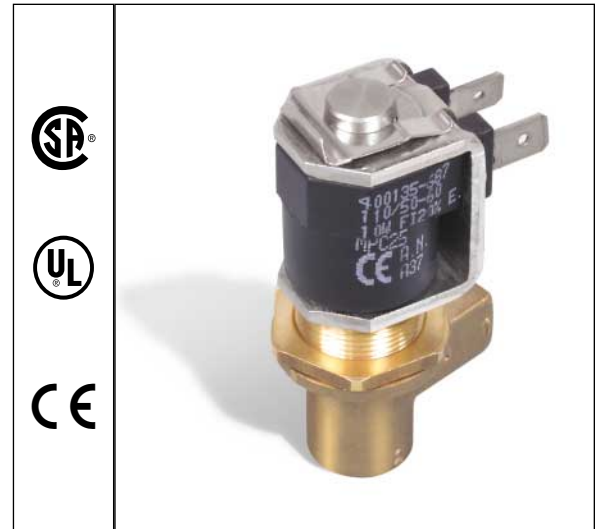
| Standard Coil and Class of Insulation | Watt Rating and Power Consumption | | | | Spare Coil Part Number | |
|---------------------------------------|-----------------------------------|-------|------------|-----------|------------------------|--------|
| | DC Watts | AC | | | General Purpose | |
| | | Watts | VA Holding | VA Inrush | AC | DC |
| F ① | 22 | 10 | 17.6 | 23.2 | 400135 | 400135 |

Note: ① Solenoid will withstand a total energized time of 12 seconds within any 60 second period.

Standard Voltages: 120, 240 volts AC, 60 Hz. 24 volts DC.
 Must be specified when ordering. Other voltages available when required.

Solenoid Enclosures

Standard: Open Frame Solenoid with spade connections (2X Din - 46244)



Ambient Temperature Range

AC: 0°F to 140°F (-17° C to 60°C)

DC: 0°F to 140°F (-17° C to 60°C)

Approvals:

UL Recognized component (pending)

CSA certified (pending)

Refer to Engineering Section for details.

Specifications (English units)

| Pipe Size (ins.) | Orifice Size (ins.) | Cv Flow Factor | Operating Pressure Differential (psi) | | | Fluid Temp. °F | | Catalog Number |
|------------------|---------------------|----------------|---------------------------------------|-------------|-------------|----------------|-----|----------------|
| | | | Min. | Max. AC Air | Max. DC Air | Min. | Max | |
| 1/8 | 1/8 | 0.35 | 0 | 125 | 125 | 0 | 180 | USF8257A001 |

Specifications (Metric units)

| Pipe Size (ins.) | Orifice Size (mm) | Kv Flow Factor | Operating Pressure Differential (bar) | | | Fluid Temp. °C | | Catalog Number |
|------------------|-------------------|----------------|---------------------------------------|-------------|-------------|----------------|-----|----------------|
| | | | Min. | Max. AC Air | Max. DC Air | Min. | Max | |
| 1/8 | 3.2 | 0.3 | 0 | 8.5 | 8.5 | -17 | 81 | USF8257A001 |

Dimensions: inches (mm)

