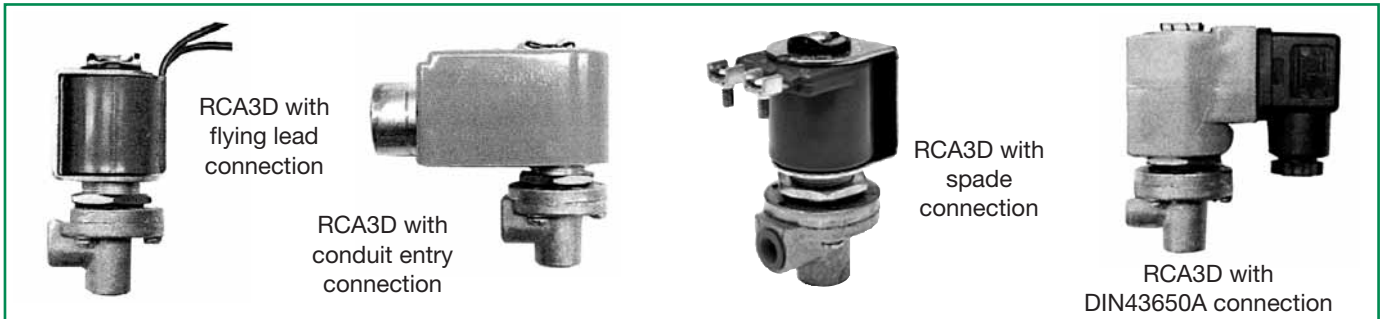


**Technical Specification**  
RCA3D Remote Pilot

**Remote solenoid pilot valve to control the actuation of dust collector diaphragm valves.**



**Suitable for**

All Goyen dust collector diaphragm valves.

**Installation**

Prepare pilot mounting hole in panel to Ø19.3/19.4 (Ø0.760"). Panel thickness must exceed 1.5mm (0.062"). Ensure o-ring is in place before tightening locknut. Preferably, install pilot valves with solenoid on top. For reliable operation, ensure supply voltage is within -10% and +15% of rated solenoid voltage. Replace components within 1 million cycles (refer to Spare Parts)

**Construction**

- Body: Aluminium (diecast)
- Ferrule: 304 SS
- Armature: 430FR SS
- Seals: Nitrile
- Locknut: Mild steel zinc passivated
- Screws: 302 SS
- Clip: Mild steel (plated)

**Operation**

Recommended on time range: 50-500ms  
Recommended time between pulses: 1 minute or greater

**Approvals**

- C-Tick
- EMC (89/336/CE)

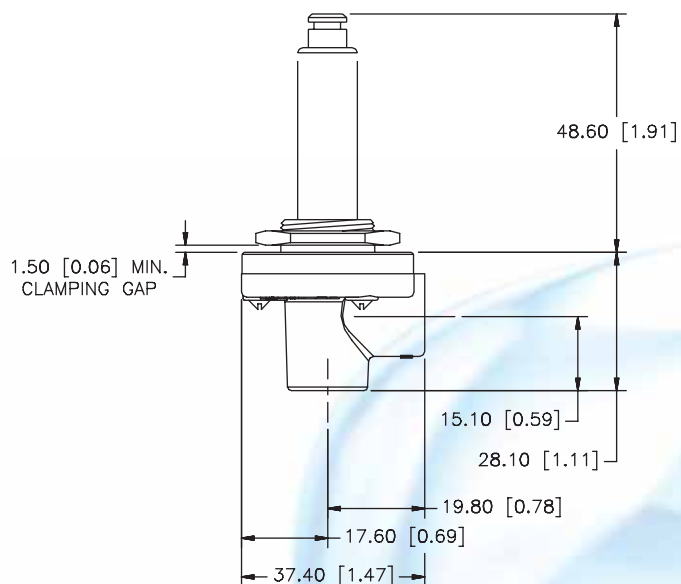
**Options**

None

**Dimensions and Weights**

(Dimensions in mm and inches)

Series	Weight
RCA3D0, RCA3D1 (no solenoid)	0.174 kg/0.384 lb



**Product Performance**

Flow	Maximum Working Pressure	Minimum Working Pressure	Temperature Min	Temperature Max	Fluid Media
0.32 Cv	860 kPa	0 kPa	-40°C	82°C	Air or
0.27 Kv	125 psi	0 psi	-40°F	180°F	inert gas

**Spare Parts**

- K0380 Replacement seal, armature, spring & ferrule kit.
- K0384 As above in viton.

## Order Code and Electrical Characteristics

Model	Connection Type	Protection Class	Voltage	Power
3D0-300	DIN 43650A	IP64	200/240V 50/60Hz	23.1 VA
3D0-301	DIN 43650A	IP64	100/120V 50/60Hz	19.8 VA
3D0-302	DIN 43650A	IP64	24V 50/60 Hz	23.1 VA
3D0-303	DIN 43650A	IP64	110VDC	24 W
3D0-304	DIN 43650A	IP64	48VDC	20 W
3D0-305	DIN 43650A	IP64	24VDC	20 W
3D0-306	DIN 43650A	IP64	12VDC	20 W
3D0-310	Conduit (M20x1.5)	IP31	200/240V 50/60Hz	23.1 VA
3D0-311	Conduit (M20x1.5)	IP31	100/120V 50/60Hz	19.8 VA
3D0-312	Conduit (M20x1.5)	IP31	24V 50/60 Hz	23.1 VA
3D0-313	Conduit (M20x1.5)	IP31	24VDC	20 W
3D0-314	Conduit (M20x1.5)	IP31	12VDC	20 W
3D0-320	Conduit (1/2" NPSC)	IP31	200/240V 50/60Hz	23.1 VA
3D0-321	Conduit (1/2" NPSC)	IP31	100/120V 50/60Hz	19.8 VA
3D0-322	Conduit (1/2" NPSC)	IP31	24V 50/60 Hz	23.1 VA
3D0-323	Conduit (1/2" NPSC)	IP31	24VDC	20 W
3D0-324	Conduit (1/2" NPSC)	IP31	12VDC	20 W
3D0-340	Flying Lead	IP64	200/240V 50/60Hz	23.1 VA
3D0-341	Flying Lead	IP64	100/120V 50/60Hz	19.8 VA
3D0-342	Flying Lead	IP64	24V 50/60 Hz	23.1 VA
3D0-343	Flying Lead	IP64	24VDC	20 W
3D0-344	Flying Lead	IP64	12VDC	20 W
3D1-300	DIN 43650A	IP64	200/240V 50/60Hz	23.1 VA
3D1-301	DIN 43650A	IP64	100/120V 50/60Hz	19.8 VA
3D1-302	DIN 43650A	IP64	24V 50/60 Hz	23.1 VA
3D1-303	DIN 43650A	IP64	110VDC	24 W
3D1-304	DIN 43650A	IP64	48VDC	20 W
3D1-305	DIN 43650A	IP64	24VDC	20 W
3D1-306	DIN 43650A	IP64	12VDC	20 W
3D1-310	Conduit (M20x1.5)	IP31	200/240V 50/60Hz	23.1 VA
3D1-311	Conduit (M20x1.5)	IP31	100/120V 50/60Hz	19.8 VA
3D1-312	Conduit (M20x1.5)	IP31	24V 50/60 Hz	23.1 VA
3D1-313	Conduit (M20x1.5)	IP31	24VDC	20 W
3D1-314	Conduit (M20x1.5)	IP31	12VDC	20 W
3D1-320	Conduit (1/2" NPSC)	IP31	200/240V 50/60Hz	23.1 VA
3D1-321	Conduit (1/2" NPSC)	IP31	100/120V 50/60Hz	19.8 VA
3D1-322	Conduit (1/2" NPSC)	IP31	24V 50/60 Hz	23.1 VA
3D1-323	Conduit (1/2" NPSC)	IP31	24VDC	20 W
3D1-324	Conduit (1/2" NPSC)	IP31	12VDC	20 W
3D1-340	Flying Lead	IP64	200/240V 50/60Hz	23.1 VA
3D1-341	Flying Lead	IP64	100/120V 50/60Hz	19.8 VA
3D1-342	Flying Lead	IP64	24V 50/60 Hz	23.1 VA
3D1-343	Flying Lead	IP64	24VDC	20 W
3D1-344	Flying Lead	IP64	12VDC	20 W