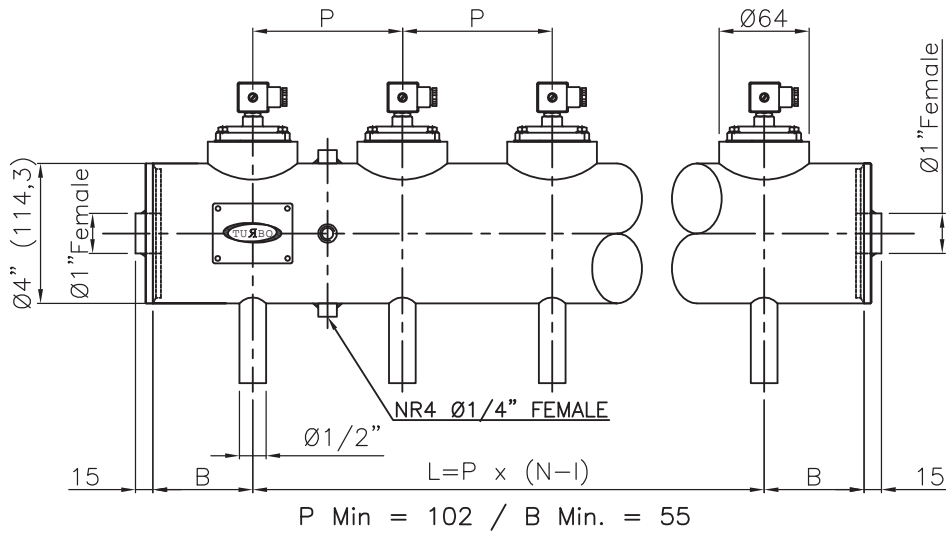


INTEGRAL Series dn 4" with valves 1/2"

4"

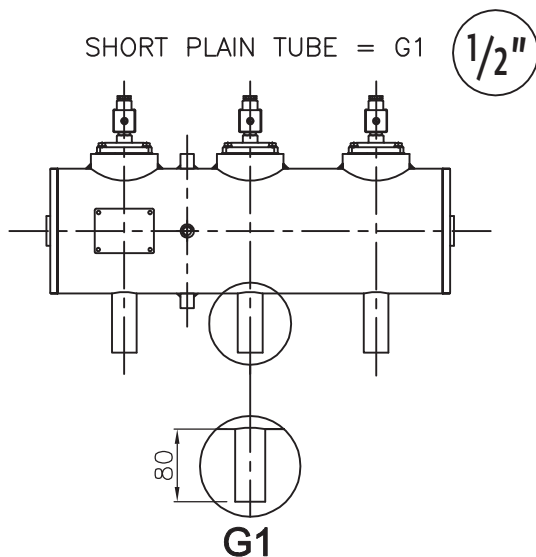
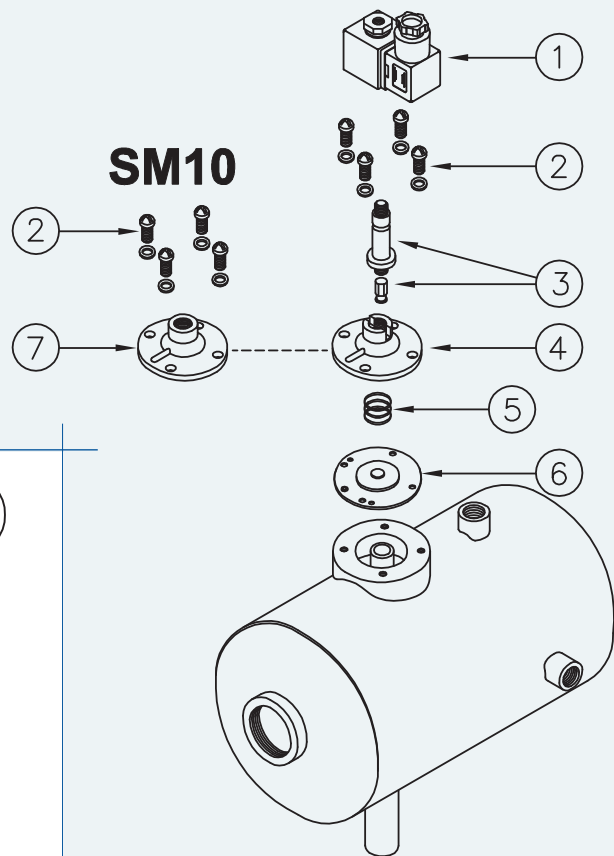


DESCRIPTION

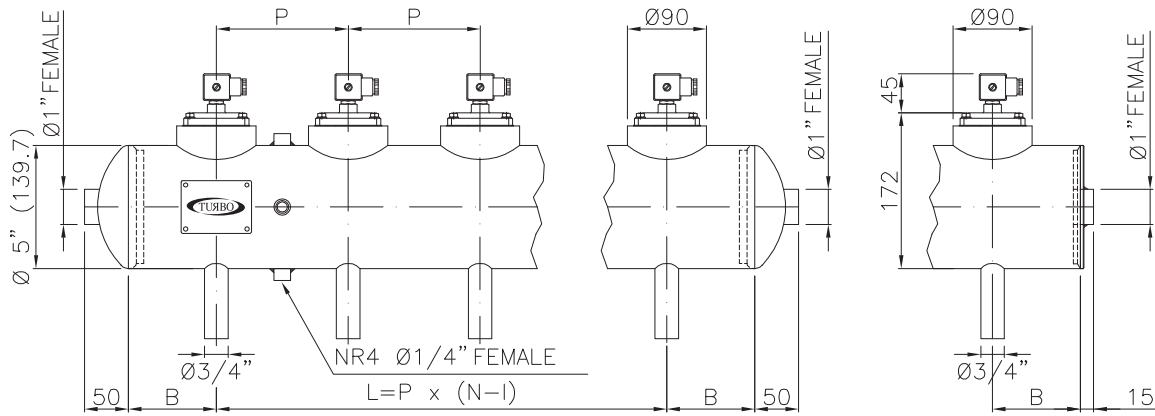
VALVE SM10/SP10

1	Coil + Din connector	BH10...V/50-60Hz
2	Screws + Washer	VTE6x18+VRO56
3	Pole assembly	GPC 10
4	Cover	TCOP 10
5	Spring	TMOLL25GNEW
6	Diaphragm	G10/GMD
7	Remote operated cover	TCOP10FM

SP10



5" INTEGRAL Series dn 5" with valves 3/4"

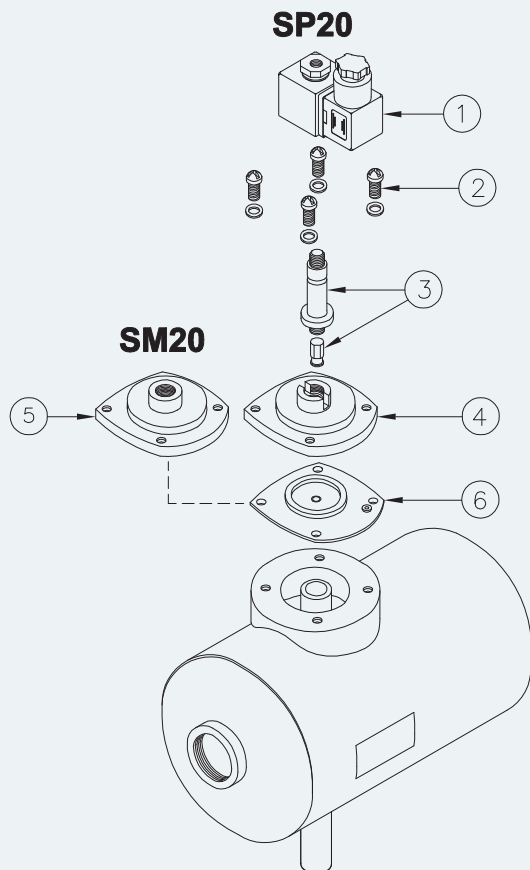


P Min. = 120 / B Min. = 90

DESCRIPTION

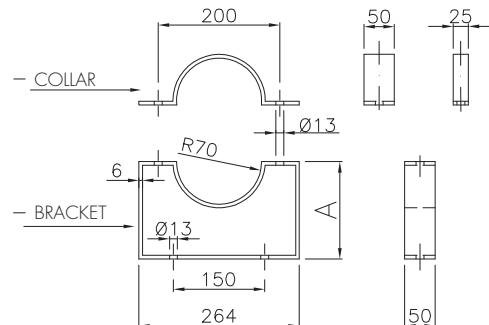
VALVE SM20/SP20

1	Coil + Din connector	BH10...V/50-60Hz
2	Screws + Washer	TE6x18+VROS6
3	Pole assembly	GPC 10
4	Cover	TCOP 25
5	Cover remote operated	TCOP25FM
6	Diaphragm	M25



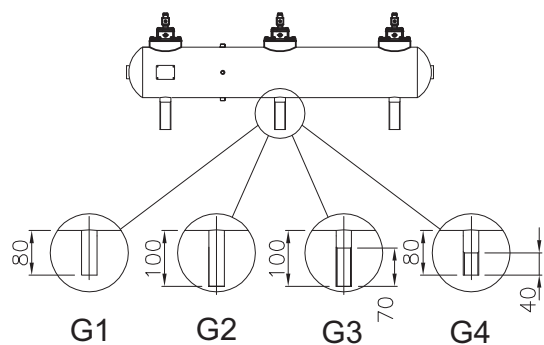
BRACKETS

CS = COLLAR
 SA = HIGH BRACKET
 SM = MEDIUM BRACKET
 SB = SMALL BRACKET
 A=180
 A=160
 A=95



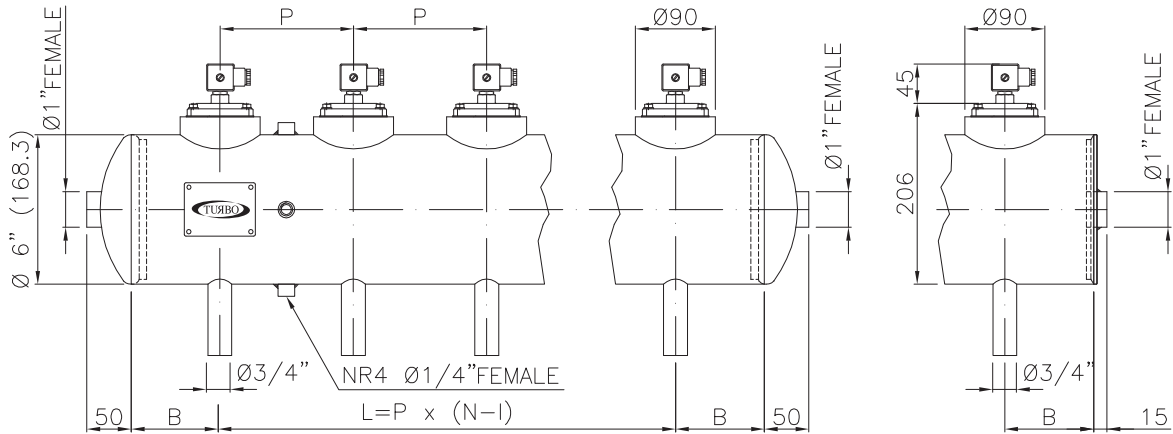
SHORT PLAIN TUBE = G1
 LONG PLAIN TUBE = G2
 THREADED LONG TUBE = G3
 THREADED SHORT TUBE = G4

3/4"



INTEGRAL Series dn 6" with valves 3/4"

6"

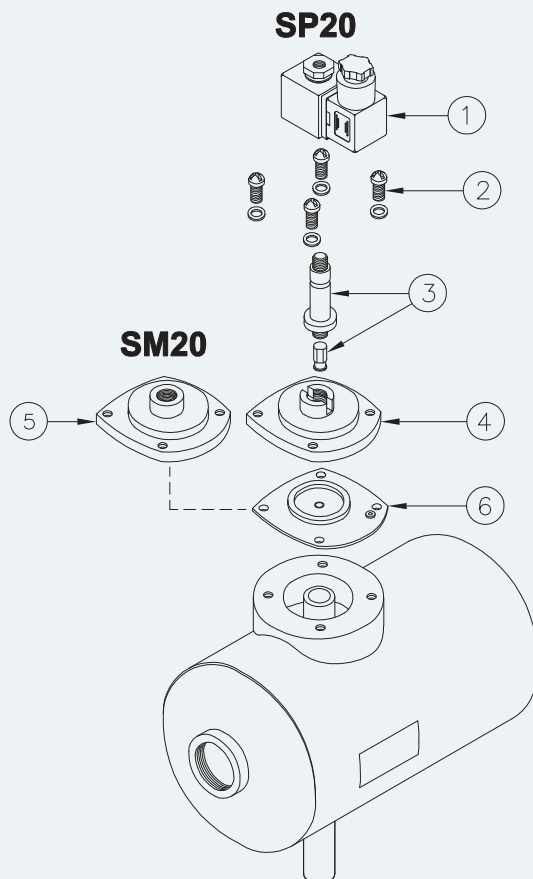


P Min. = 120 / B Min. = 90

DESCRIPTION

VALVE SM20/SP20

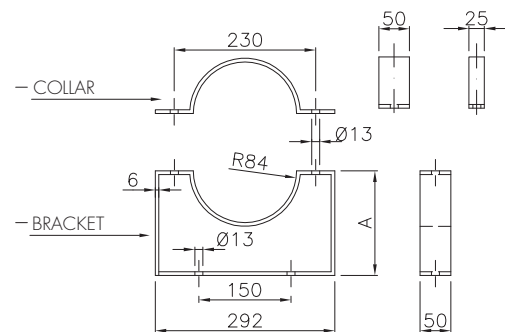
1	Coil + Din connector	BH10...V/50-60Hz
2	Screws + Washer	TE6x18+VRO56
3	Pole assembly	GPC 10
4	Cover	TCOP 25
5	Remote operated cover	TCOP25FM
6	Diaphragm	M25



BRACKETS

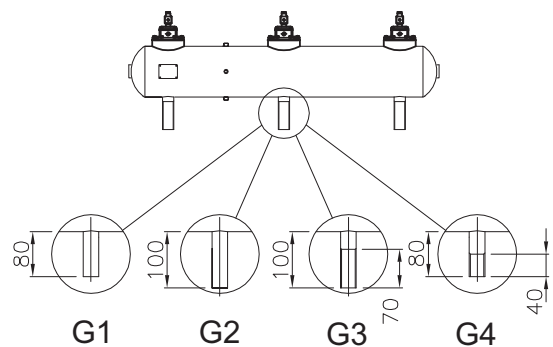
CS = COLLAR
SA = HIGH BRACKET
SM = MEDIUM BRACKET
SB = SMALL BRACKET

A=200
A=170
A=109

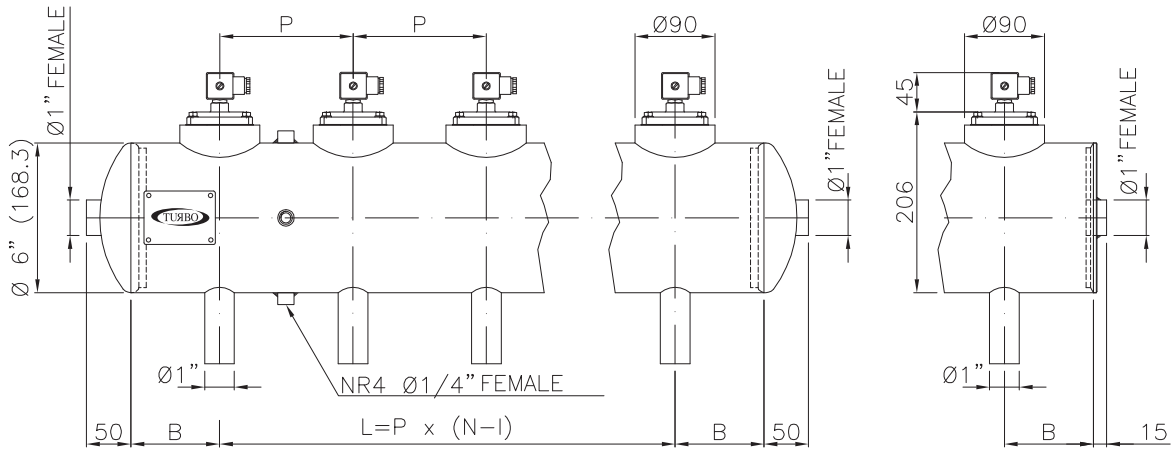


SHORT PLAIN TUBE = G1
LONG PLAIN TUBE = G2
THREADED LONG TUBE = G3
THREADED SHORT TUBE = G4

3/4"



6" INTEGRAL Series dn 6" with valves 1"



P Min. = 120 / B Min. = 90

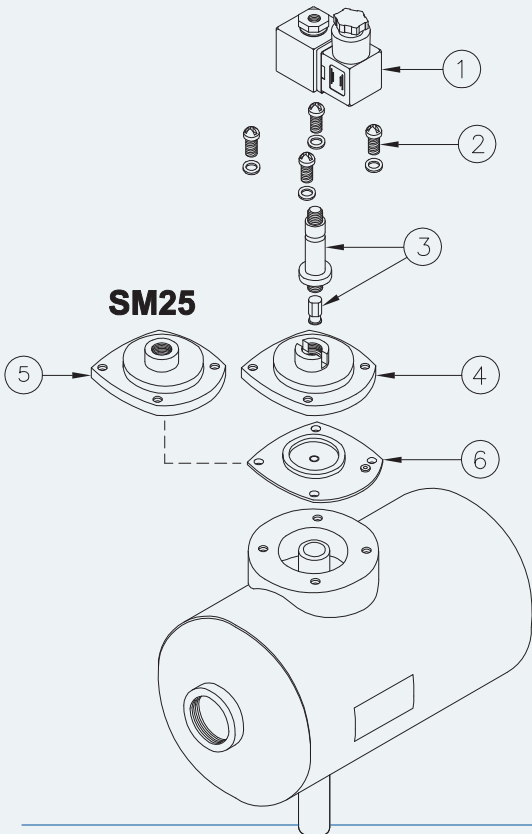
DESCRIPTION

VALVE SM25/SP25

1 Coil + Din connector	BH10...V/50-60Hz
2 Screws + Washer	TE6x18+VROS6
3 Pole assembly	GPC 10
4 Cover	TCOP 25
5 Remote operated cover	TCOP25FM
6 Diaphragm	M25

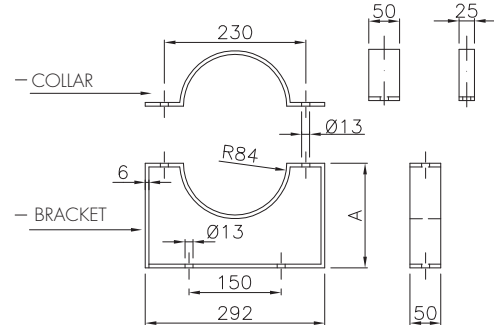
SP25

SM25

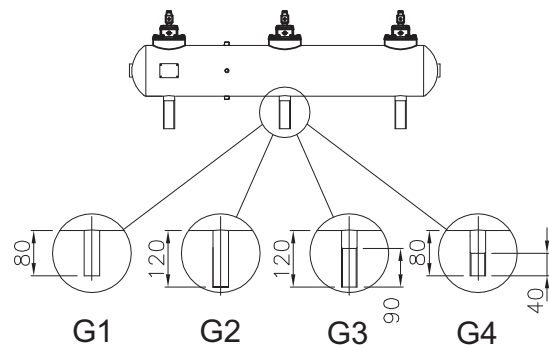


BRACKETS

CS = COLLAR
 SA = HIGH BRACKET A=200
 SM = MEDIUM BRACKET A=170
 SB = SMALL BRACKET A=109

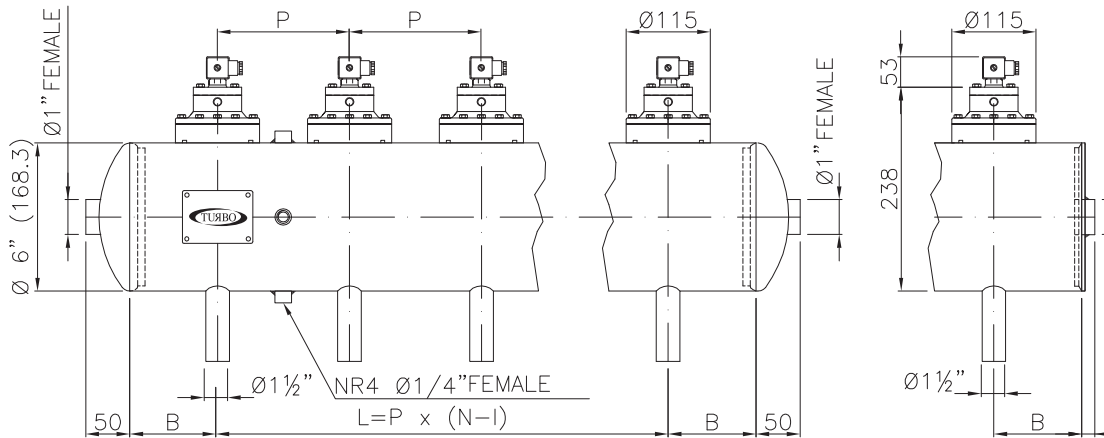


SHORT PLAIN TUBE = G1
 LONG PLAIN TUBE = G2
 THREADED LONG TUBE = G3
 THREADED SHORT TUBE = G4



INTEGRAL Series dn 6" with valves 1 1/2"

6"



P Min. = 130 / B Min. = 100

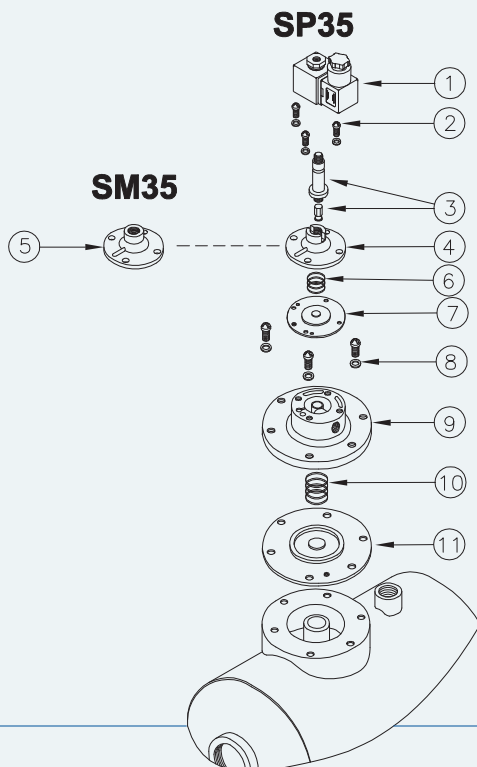
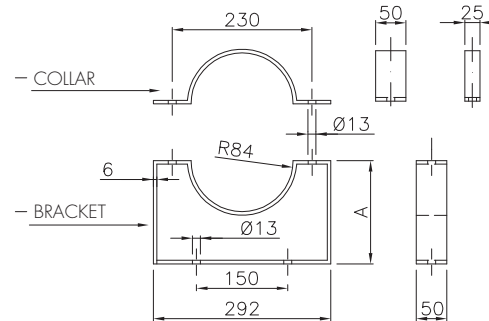
DESCRIPTION

VALVE SM35/SP35

1	Coil + Din connector	BH10...V/50-60Hz
2	Screws + Washer	VTE6x20+VROS6
3	Pole assembly	GPC 10
4	Cover	TCOP 10
5	Remote operated cover	TCOP10FM
6	Spring	TMOL10GNEW
7	Diaphragm	M10
8	Screws + Washer	VTE8x20+VROS8
9	Cover	TCOP35N
10	Spring	TMOL40/45G
11	Main diaphragm	M35-S

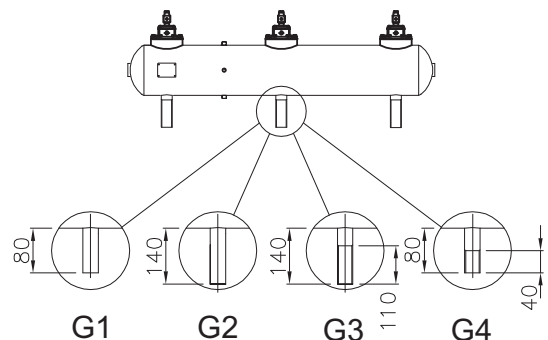
BRACKETS

CS = COLLAR
 SA = HIGH BRACKET A=200
 SM = MEDIUM BRACKET A=170
 SB = SMALL BRACKET A=109

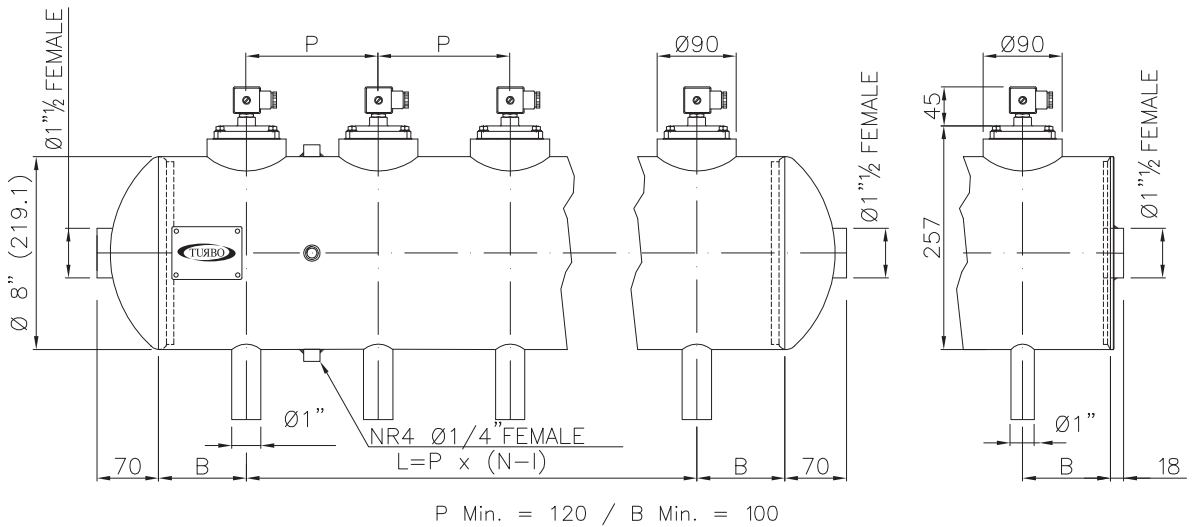


SHORT PLAIN TUBE = G1
 LONG PLAIN TUBE = G2
 THREADED LONG TUBE = G3
 THREADED SHORT TUBE = G4

1 1/2"



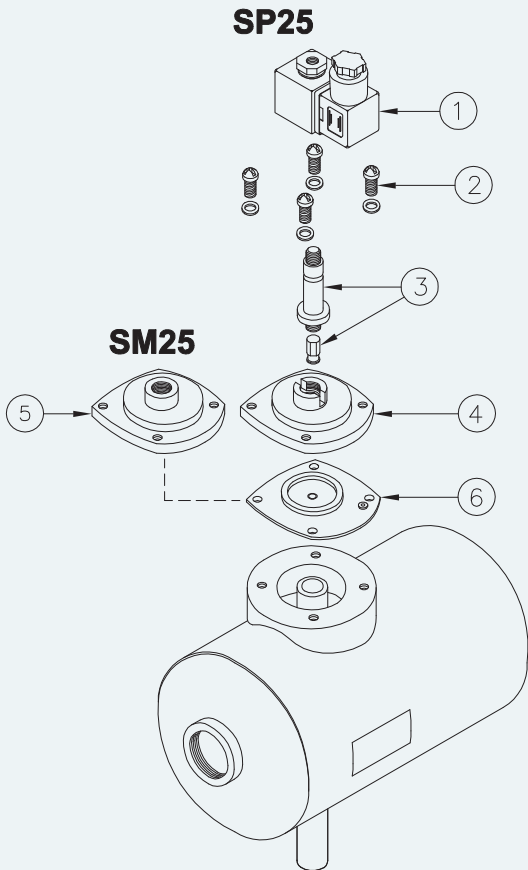
8" INTEGRAL Series dn 8" with valves 1"



DESCRIPTION

VALVE SM25/SP25

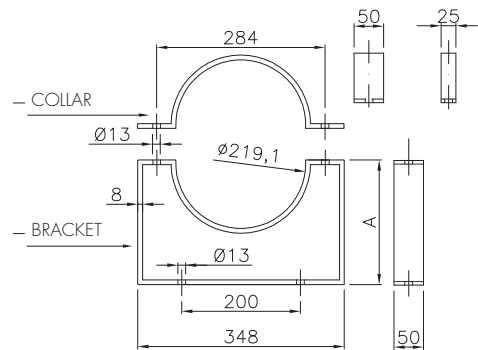
1	Coil + Din connector	BH10...V/50-60Hz
2	Screws + Washer	TE6x18+VROS6
3	Pole assembly	GPC 10
4	Cover	TCOP 25
5	Remote operated cover	TCOP25FM
6	Diaphragm	M25



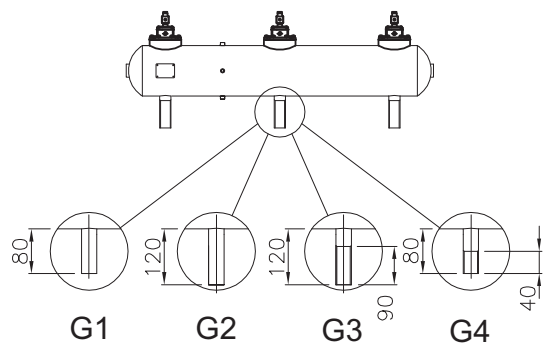
BRACKETS

CS = COLLAR
 SA = HIGH BRACKET
 SM = MEDIUM BRACKET
 SB = SMALL BRACKET

A=270
 A=210
 A=134

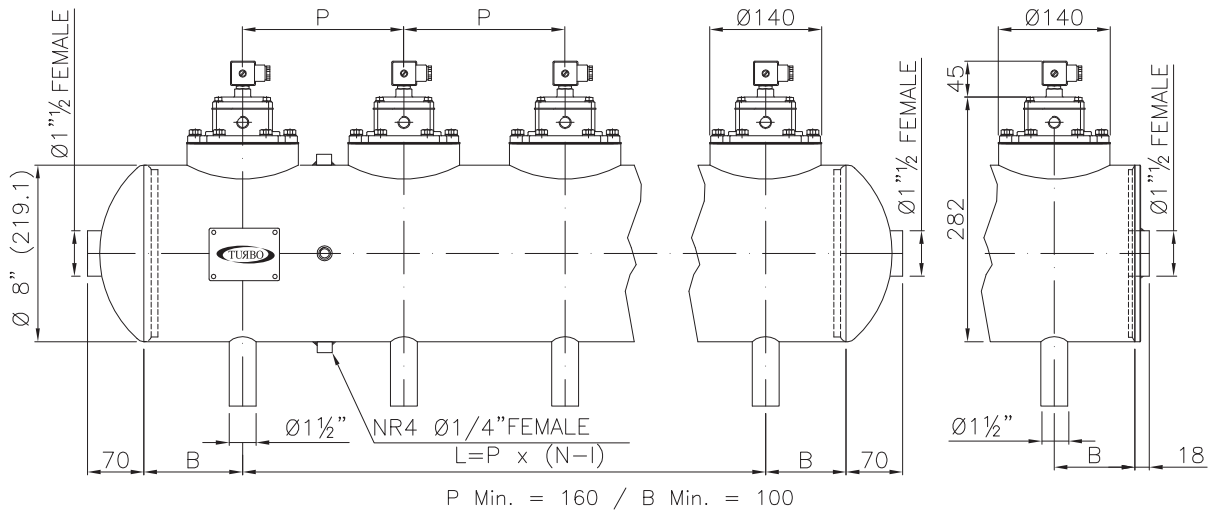


SHORT PLAIN TUBE = G1
 LONG PLAIN TUBE = G2
 THREADED LONG TUBE = G3
 THREADED SHORT TUBE = G4



INTEGRAL Series dn 8" with valves 1 1/2"

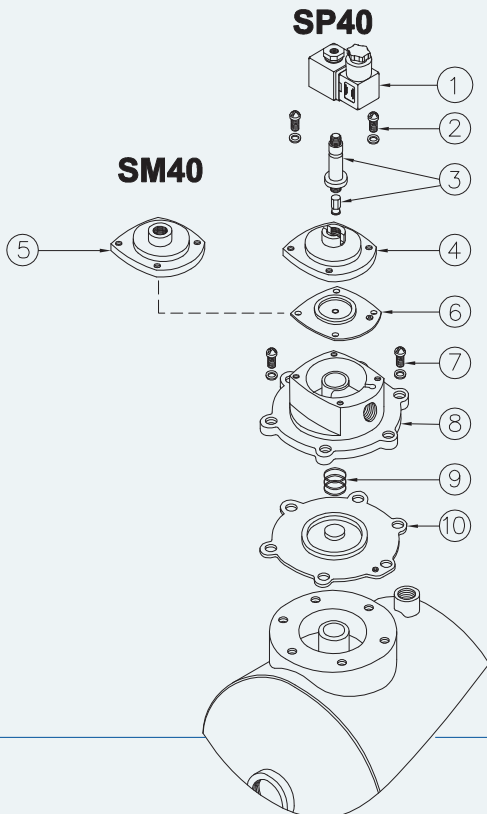
8"



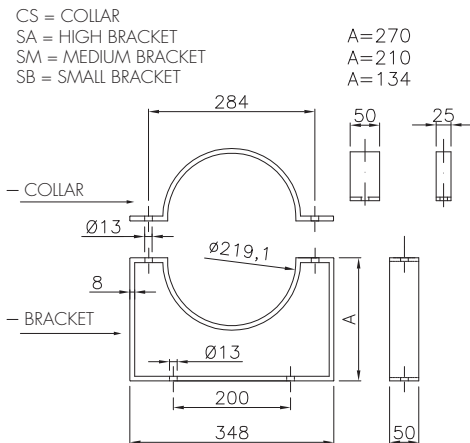
DESCRIPTION

VALVE SM40/SP40

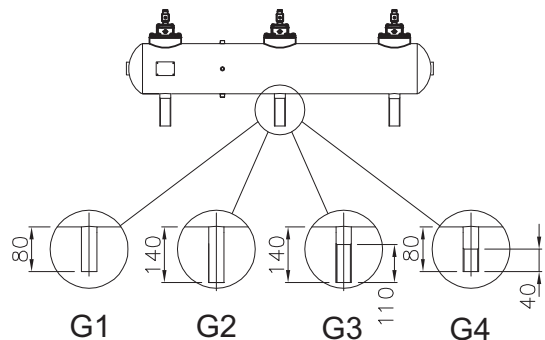
1	Coil + Din connector	BH10...V/50-60Hz
2	Screws + Washer	VTE6x20+VROS6
3	Pole assembly	GPC 10
4	Cover	TCOP 25
5	Remote operated cover	TCOP 25FM
6	Diaphragm	M25
7	Screws + Washer	VTE8x20+VROS8
8	Cover	TCOP40N
9	Spring	TMOL40
10	Main diaphragm	M40

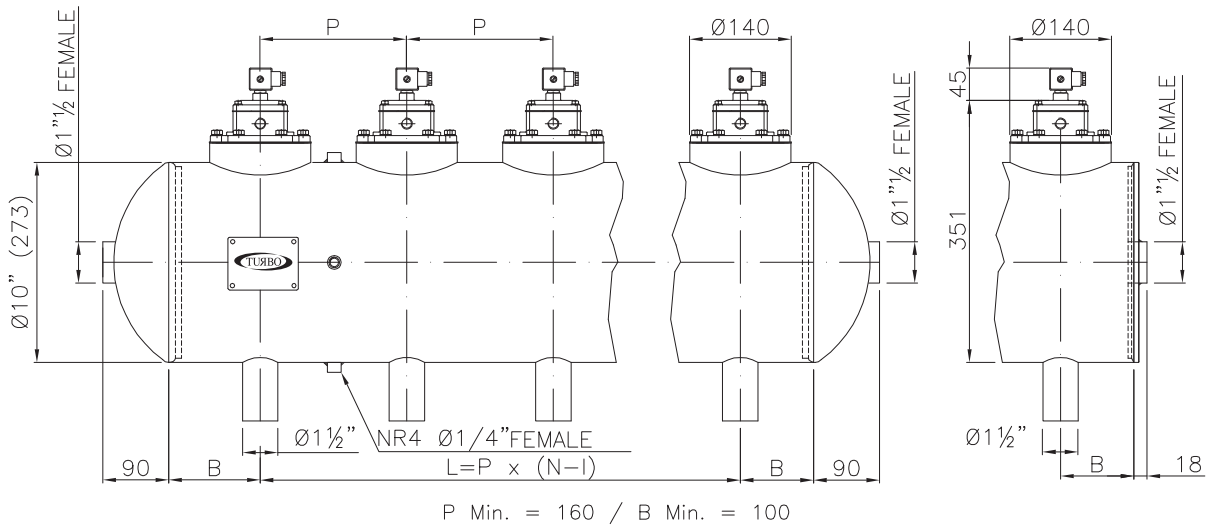


BRACKETS

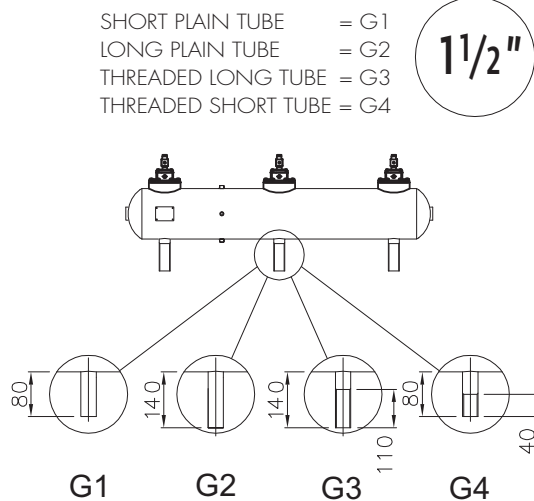
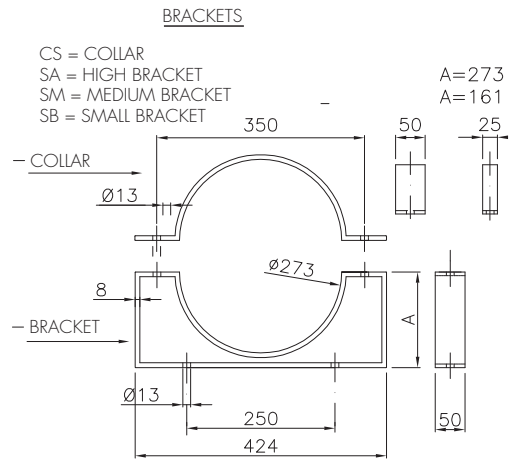
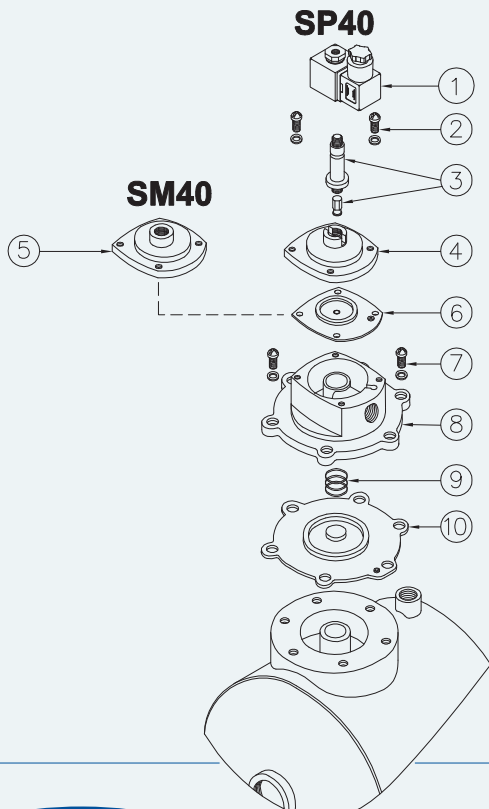


SHORT PLAIN TUBE = G1
LONG PLAIN TUBE = G2
THREADED LONG TUBE = G3
THREADED SHORT TUBE = G4



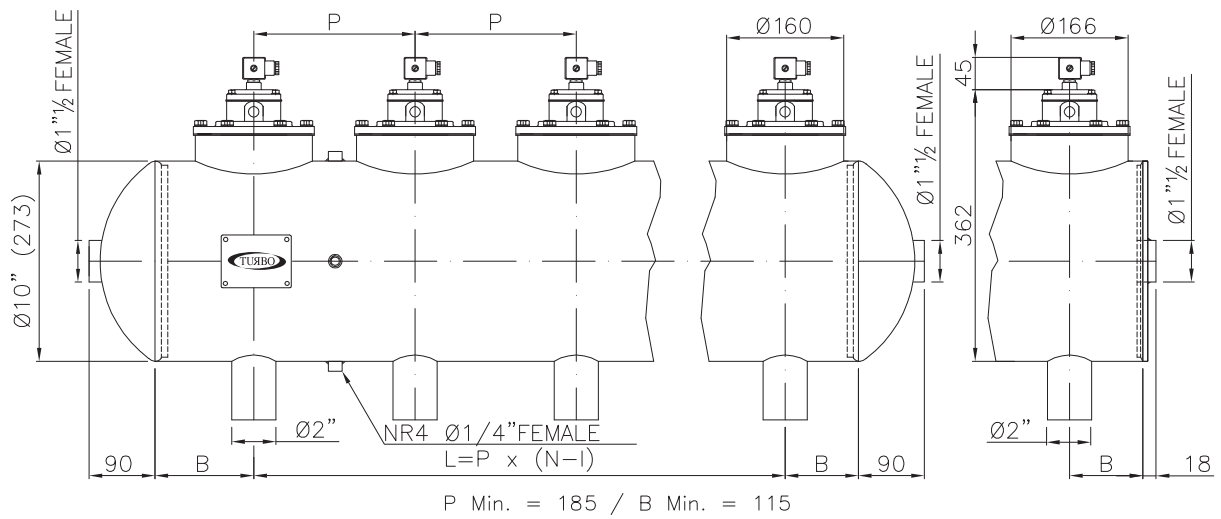


DESCRIPTION	VALVE SM40/SP40
1 Coil + Din connector	BH10...V/50-60Hz
2 Screws + Washer	VTE6x20+VROS6
3 Pole assembly	GPC 10
4 Cover	TCOP 25
5 Cover remote operated	TCOP25FM
6 Diaphragm	M25
7 Screws + Washer	VTE8x20+VROS8
8 Cover	TCOP40N
9 Spring	TMOL40
10 Main diaphragm	M40



INTEGRAL Series dn 10" with valves 2"

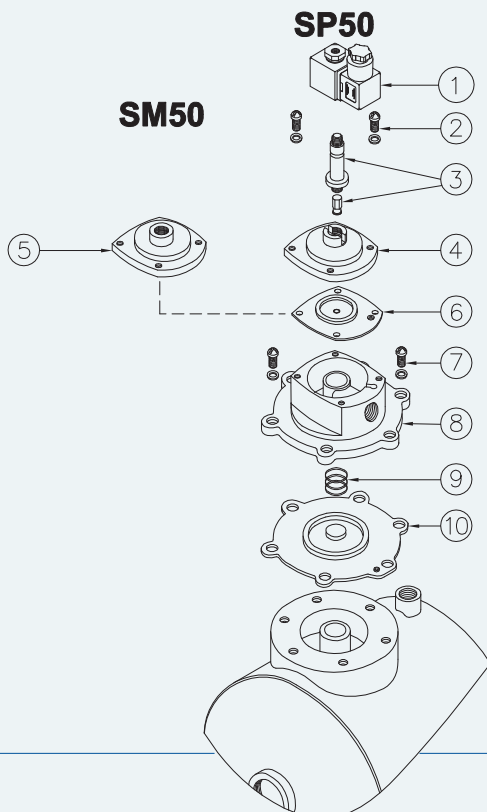
10"



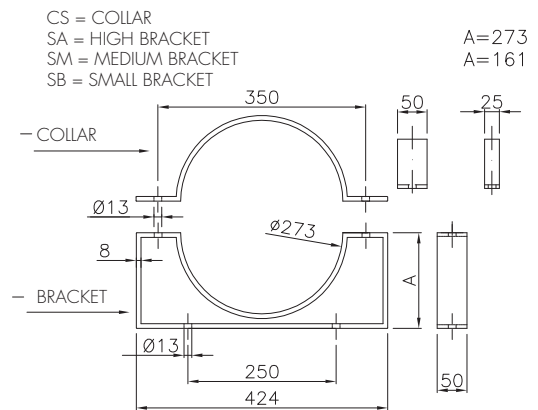
DESCRIPTION

VALVE SM50/SP50

1	Coil + Din connector	BH10...V/50-60Hz
2	Screws + Washer	VTE6x20+VROS6
3	Pole assembly	GPC 10
4	Cover	TCOP 25
5	Remote operated cover	TCOP 25FM
6	Diaphragm	M25
7	Screws + Washer	VTE10x25+VROS10
8	Cover	TCOP50
9	Spring	TMOL40
10	Main diaphragm	M50

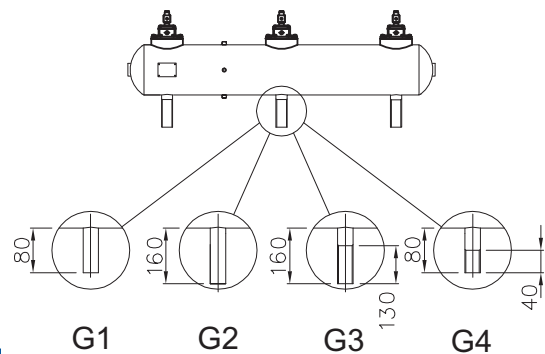


BRACKETS

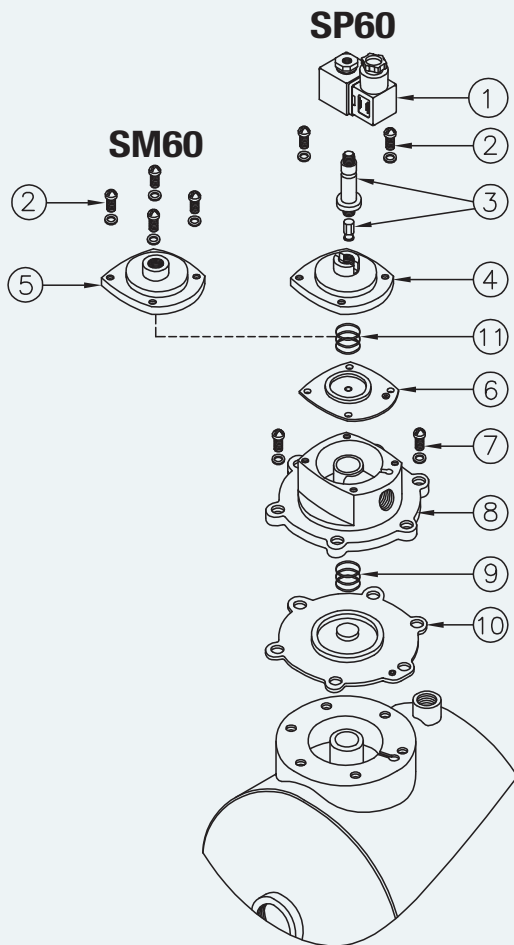
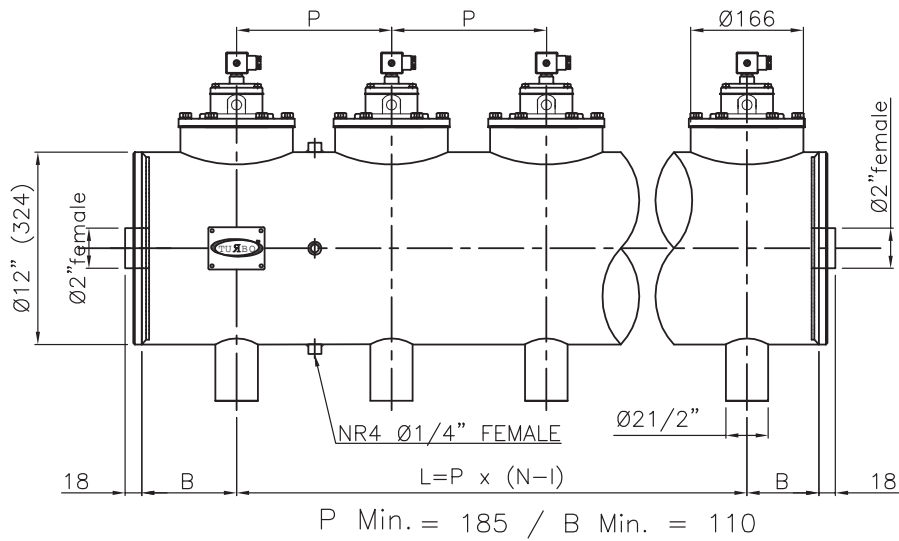


SHORT PLAIN TUBE = G1
 LONG PLAIN TUBE = G2
 THREADED LONG TUBE = G3
 THREADED SHORT TUBE = G4

2"

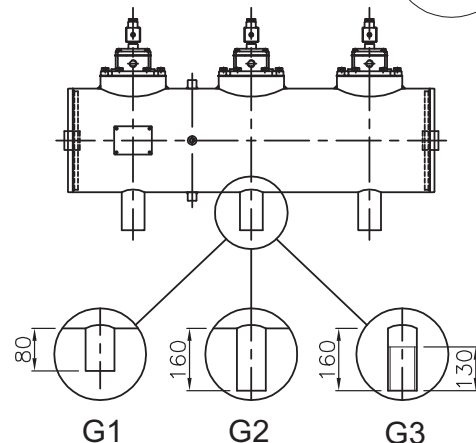


12" INTEGRAL Series dn 12" with valves 2 1/2"



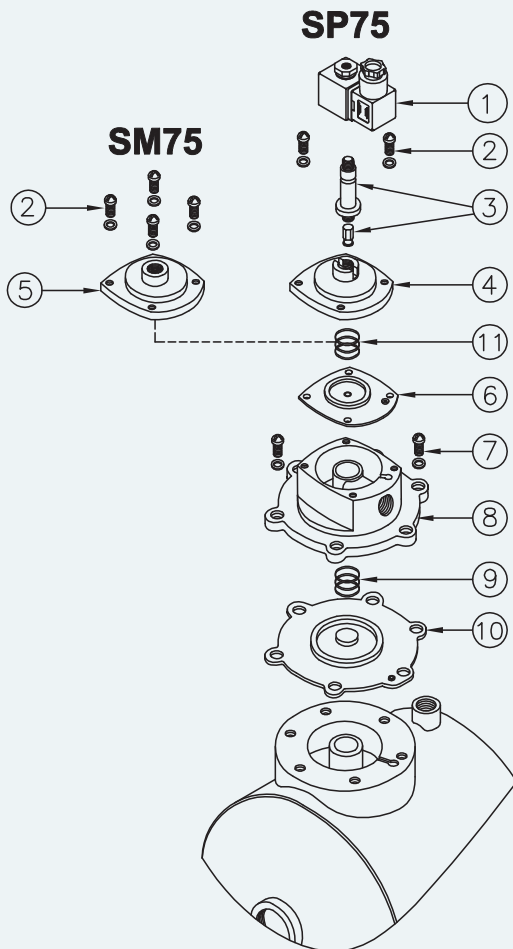
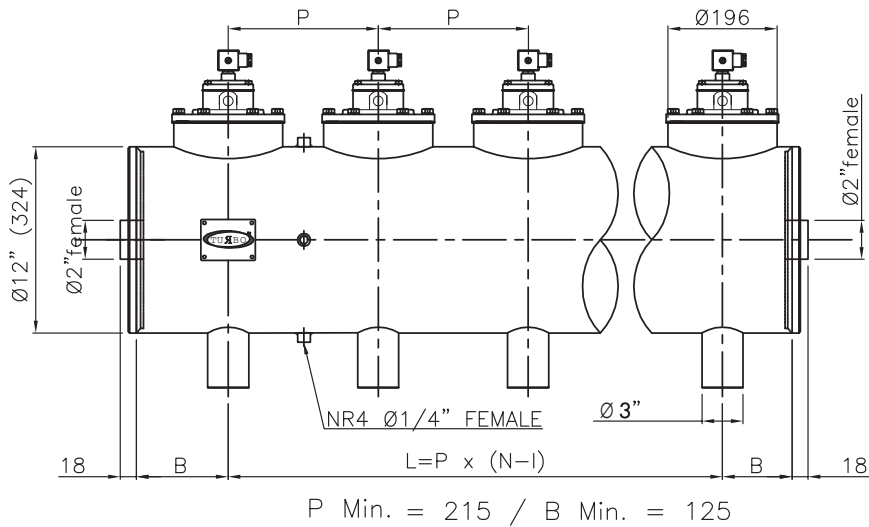
DESCRIPTION	VALVE SM60/ SP60
1 Coil + Din connector	BH10...V/50-60Hz
2 Screws + Washer	VTE6x20+VROS6
3 Pole assembly	GPC 10
4 Cover	TCOP 25
5 Remote operated cover	TCOP25FM
6 Diaphragm	M25
7 Screws + Washer	VTE10x25+VROS10
8 Cover	TCOP50G
9 Spring	TMOL40
10 Main diaphragm	M50
11 Spring	TMOL10G

SHORT PLAIN TUBE = G1
 LONG PLAIN TUBE = G2
 THREADED LONG TUBE = G3



INTEGRAL Series dn 12" with valves 3"

12"



DESCRIPTION

VALVE SM75/SP75

DESCRIPTION	VALVE SM75/SP75
1 Coil + Din connector	BH10...V/50-60Hz
2 Screws + Washer	VTE6x20+VROS6
3 Pole assembly	GPC 10
4 Cover	TCOP 25
5 Cover remote operated	TCOP 25FM
6 Diaphragm	M25
7 Screws + Washer	VTE10x25+VROS10
8 Cover	TCOP55
9 Spring	TMOL40
10 Main diaphragm	M55

SHORT PLAIN TUBE = G1
 LONG PLAIN TUBE = G2
 THREADED LONG TUBE = G3
 THREADED SHORT TUBE = G4

3"

