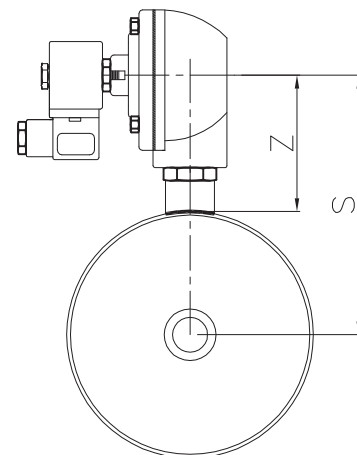
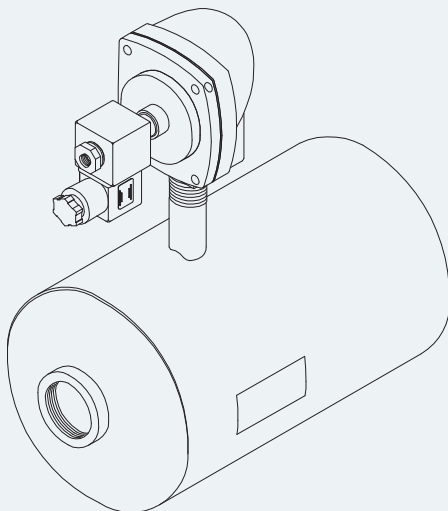


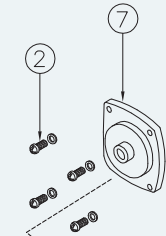
$L = Px(N-1)+2A+2B$; P = Pitch mm;

N = Quantity of stub pipes

Ø	Ø (est) mm	ØE	A	B(min)	ØF	H	M	R	Z(±)	S(±)	P(min)
5"	140	¾"	50	40	1"	15	85	40	120	190	85
5"	140	1"	50	40	1"	15	85	40	120	190	85
6"	168,3	¾"	50	40	1"	15	85	40	120	204	85
6"	168,3	1"	50	40	1"	15	85	40	120	204	85
6"	168,3	1½"	50	40	1"	15	85	40	136	220	150
8"	219,1	1"	70	40	1½"	18	85	40	120	229	85
8"	219,1	1½"	70	40	1½"	18	85	40	136	245	150
8"	219,1	2"	70	65	1½"	18	75	40	164	273	210
10"	273	1½"	90	40	1½"	18	85	40	136	272	150
10"	273	2"	90	65	1½"	18	75	40	164	300	210
10"	273	2½"	90	65	1½"	18	75	40	164	300	210

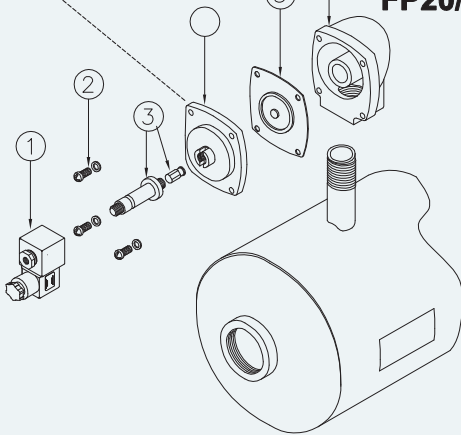


FM20/25

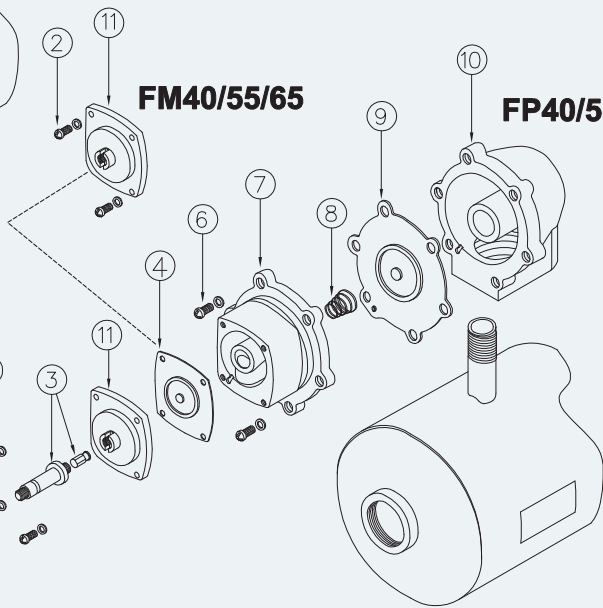


DESCRIPTION	VALVE FP/ FM20	VALVE FP/ FM25
1 Coil + Din connector	BH10...V/50-60Hz	BH10...V/50-60Hz
2 Screws + Washer	VTE6x20+VROS6	VTE6x20+VROS6
3 Pole assembly	GPC 10	GPC 10
4 Cover	TCOP25	TCO25
5 Diaphragm	M25	M25
6 Body	TCOR20FFG	TCOR25FFG
7 Cover remote operated	TCOP25FM	TCOP25FM

FP20/25



FM40/55/65



FP40/55/65

DESCRIPTION	VALVE FP/ FM40	VALVE FP/ FM55	VALVE FP/ FM65
1 Coil + Din connector	BH10...V/50-60Hz	BH10...V/50-60Hz	BH10...V/50-60Hz
2 Screws + Washer	VTE6x20+VROS6	VTE6x20+VROS6	VTE6x20+VROS6
3 Pole assembly	GPC 10	GPC 10	GPC 10
4 Cover	TCOP 25	TCOP 25	TCOP 25
5 Diaphragm	M25	M25	M25
6 Screws + Washer	VTE8x20+VROS8	VTE10x25+VROS10	VTE10x25+VROS10
7 Cover	TCOP40	TCOP65G	TCOP65G
8 Spring	TMOL40	TMOL40	TMOL40
9 Main diaphragm	M40	M55	M65
10 Body	TCOR40FFG	TCOR55FFG	TCOR65FFG
11 Cover remote operated	TCOP 25FM	TCOP 25FM	TCOP 25FM