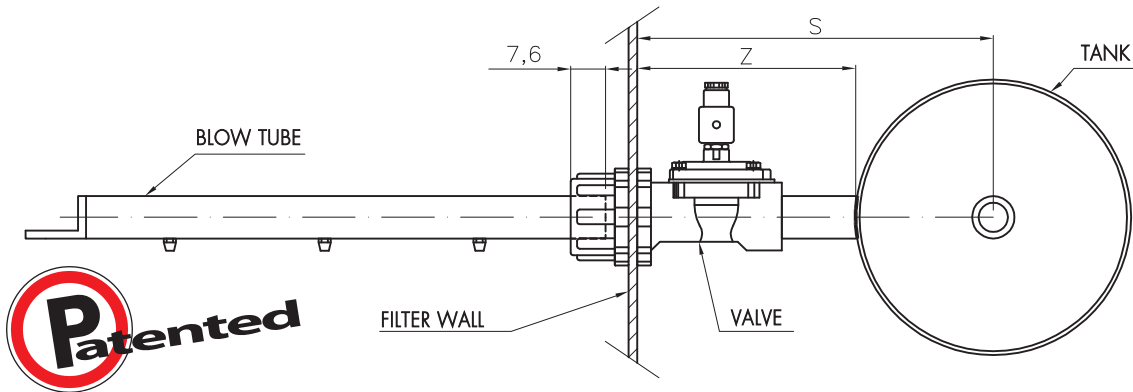


$L = Px(N-1)+2A+2B$; P = Pitch;

N = Quantity of stub pipes

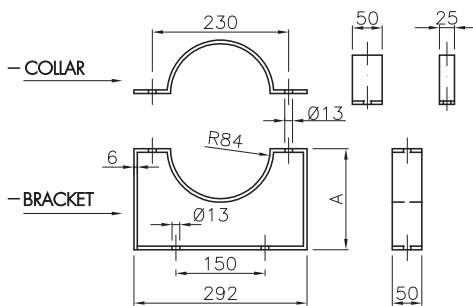
Ø	Ømm	A	B(min)	ØF	H	M	R	P(min)	Z(±)	S(±)
6"	168,3	50	40	1"	15	45	20	85	191	223
8"	219,1	70	40	1 1/2"	18	45	20	85	191	249



BRACKET TANK Ø6"

CS = COLLAR
S6-223 = BRACKET

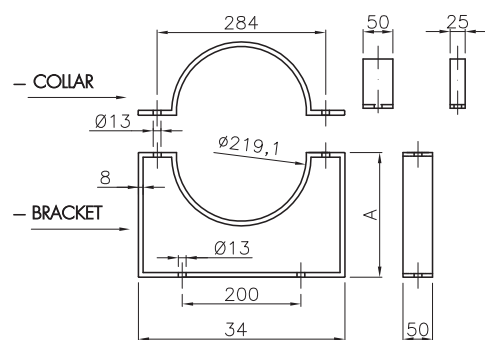
A = 223



BRACKET TANK Ø8"

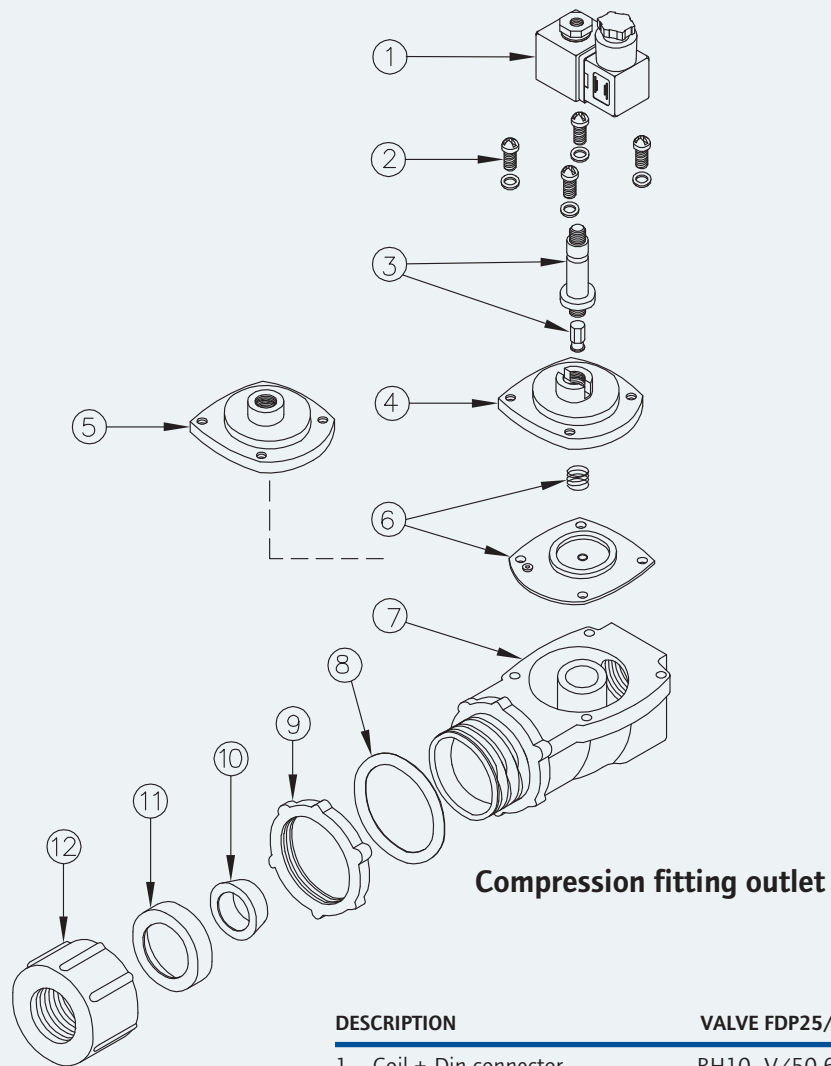
CS = COLLAR
S8-249 = BRACKET

A = 249





FDP/FDM



DESCRIPTION	VALVE FDP25/ FDM25
1 Coil + Din connector	BH10...V/50-60Hz1
2 Screws + Washer	VTE6x18 + VROS6
3 Pole assembly	GPC10
4 Cover	TCOP25
5 Cover remote operated	TCOP 25FM
6 Diaphragm + Spring	M25 + TMOL 10G
7 Body	TCOR25FLG/IN-OUT
8 Washer	TROND 53x67x5/HO
9 Lock nut	TGBA25
10 Seal	GCON25
11 Seal retainer	OG25
12 Compression nut	TDAL25