

E Series



CARACTERISTICS

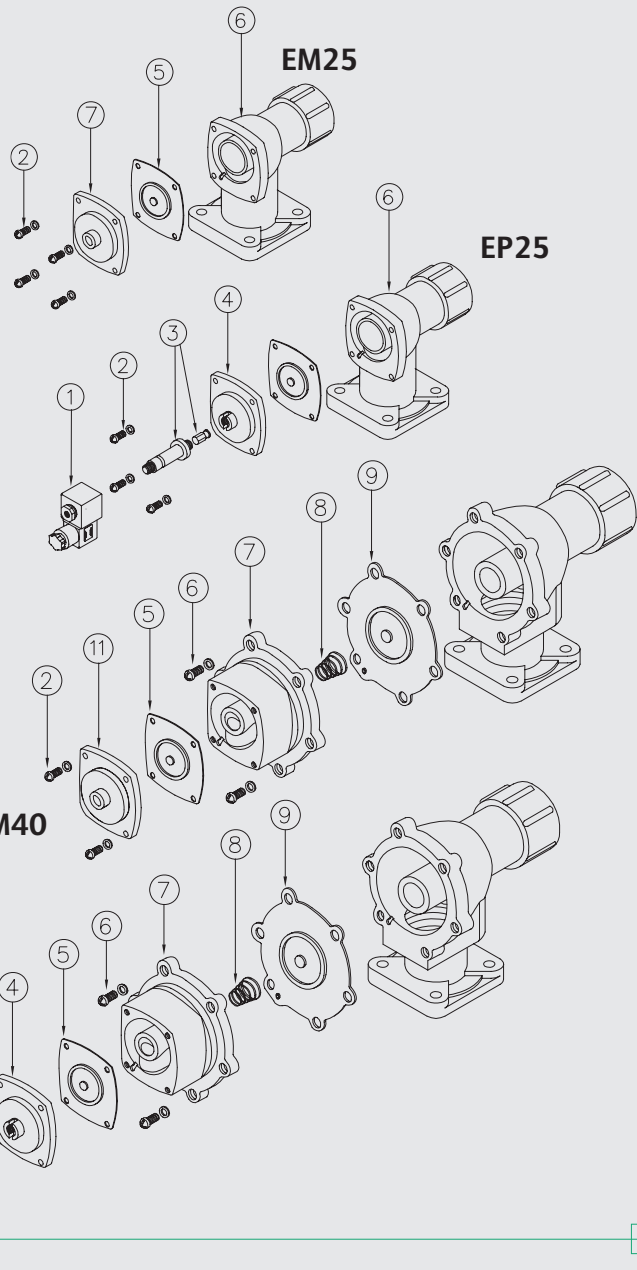
<b>Fluid</b>	Filtered and oilfree compressed air
<b>Temperature range</b>	STD diaphragm -40°C; +80°C Viton diaphragm -30°C; +200°C
<b>Operating pressure</b>	min 0,5; max 7,5 bar
<b>Body &amp; cover</b>	Die cast aluminium
<b>Core tube</b>	Stainless Steel
<b>Plunger</b>	Stainless Steel
<b>Screws</b>	Stainless Steel
<b>Coil insulation</b>	Class H
<b>Connector</b>	PG 9; IP65 DIN 43650 ISO 4400
<b>Standard voltages</b>	230 -110 - 24V / 50-60VHz 19 VA 24VDC 15W

DESCRIPTION	EM/EP25
1 Coil+Connector	BH10...V/50-60Hz
2 Screws+Washer	VTE6x20+VROS6
3 Pole assembly	GPC 10
4 Cover	TCOP 25/EP
5 Diaphragm	M25/EP-EM
6 Body	TCOR25FMG
7 Cover remote operated	TCOP25FM

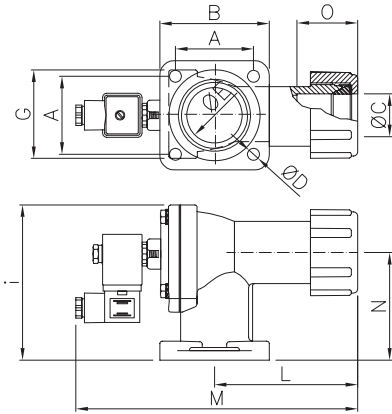
EP Integral solenoid pilot version  
EM Remote pilot version

DESCRIPTION	EP/EM40
1 Coil+Connector	BH10...V/50-60Hz
2 Screws+Washer	VTE6x20+VROS6
3 Pole assembly	GPC 10
4 Cover	TCOP 25
5 Diaphragm	M25
6 Screws + Washer	VTE8x20+VROS8
7 Main cover	TCOP 40N
8 Spring	TMOL40
9 Main diaphragm	M40
10 Body	TCOR40FMG
11 Cover remote operated	TCOP25FM

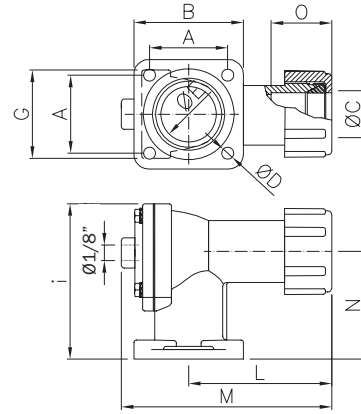
EP Integral solenoid pilot version  
EM Remote pilot version



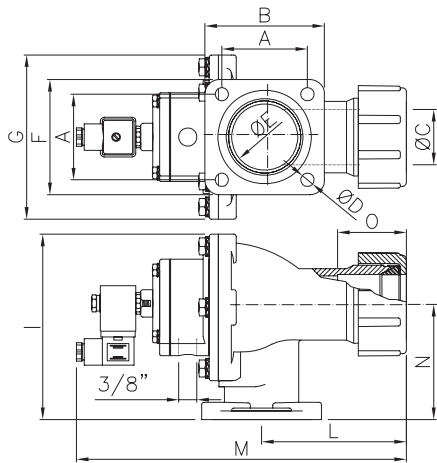
**EP25**



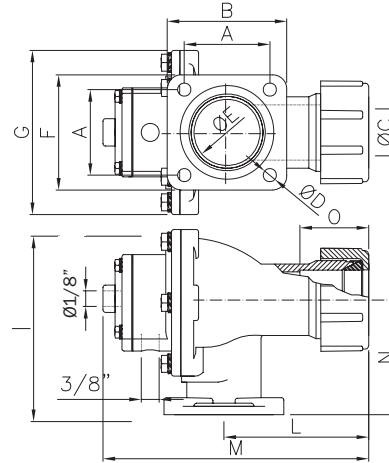
**EM25**



**EP40**



**EM40**



Model	Ø C (nom)	A	B	Ø D	F	G	I	L	M	N	Ø E	Weight (Kg)
EP 25	1"	60	82	9	82	74	119	106	217	81	1"½	1
EP 40	1"½	72	99	11	96	140	160	115	278	96	2"	2,3
EM 25	1"	60	82	9	82	74	106	106	159	81	1"½	0,9
EM 40	1"½	72	99	11	96	140	160	115	220	96	2"	2,1