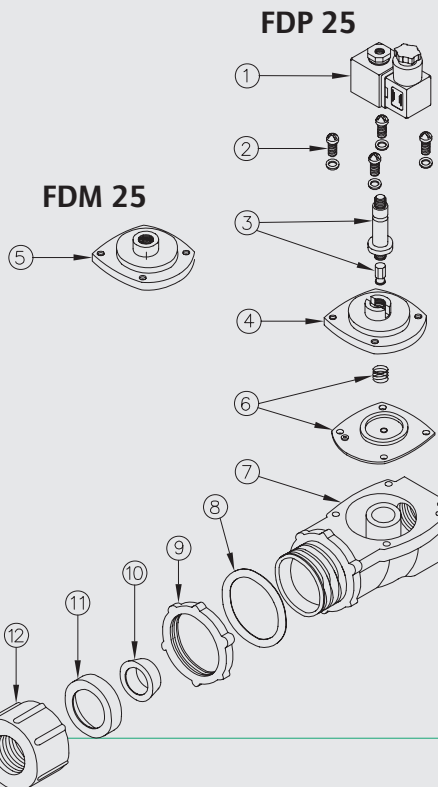




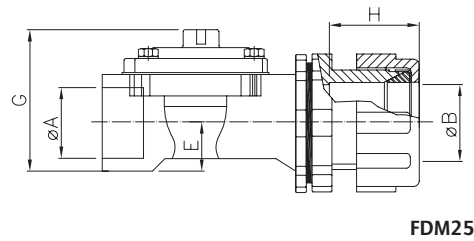
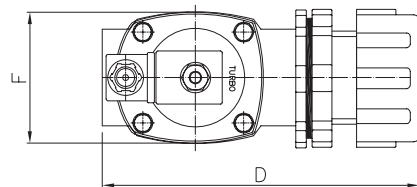
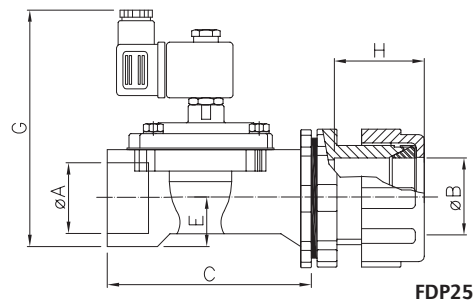
**CARACTERISTICS**

<b>Fluid</b>	Filtered and oilfree compressed air
<b>Temperature range</b>	STD diaphragm -40°C; +80°C Viton diaphragm -30°C; +200°C
<b>Operating pressure</b>	min. 0,5; max 7,5 bar
<b>Body &amp; cover</b>	Die cast aluminium
<b>Core tube</b>	Stainless Steel
<b>Plunger</b>	Stainless Steel
<b>Screws</b>	Stainless Steel
<b>Coill insulation</b>	Class H
<b>Connector</b>	PG 9; IP65 DIN 43650 ISO 4400
<b>Standard voltages</b>	230 -110 - 24V / 50-60VHz 19 VA 24VDC 15W

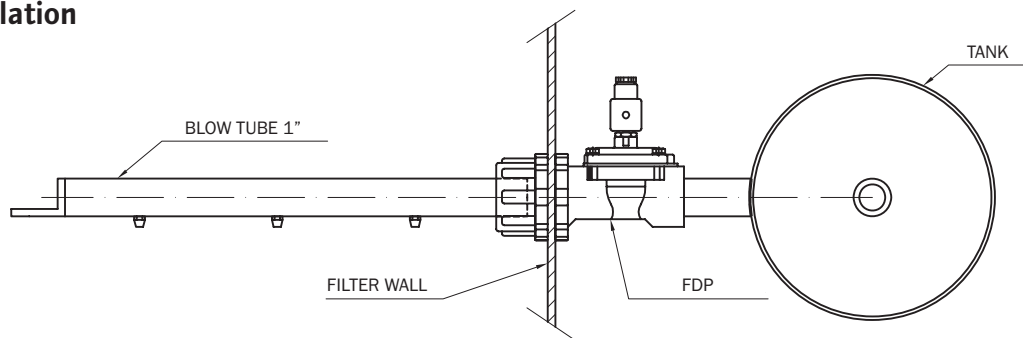
DESCRIPTION	FDP25/ FDM25
1 Coil+Connector	BH10...V/50-60Hz
2 Screws+Washer	VTE6x20+VROS6
3 Pole assembly	GPC 10
4 Cover	TCOP25
5 Cover remote operated	TCOP25FM
6 Diaphragm+Spring	M25+TMOL 10G
7 Body	TCOR25FLG/IN-OUT
8 Gasket	TROND67x53x5
9 Lock nut	TGBA25
10 Seal	GCON25
11 Seal retainer	OG25
12 Compression nut	TDAL25



FDP/FDM with compression fitting



Installation



Model	Ø A	Ø B	C	D	E	F	G	H	Weight (Kg)
FDM 25	1"1/4	1"	114	172	27	74	74	49,5	0,9
FDP 25	1"1/4	1"	114	172	27	74	132	49,5	1