

SQ Series Ø 1"

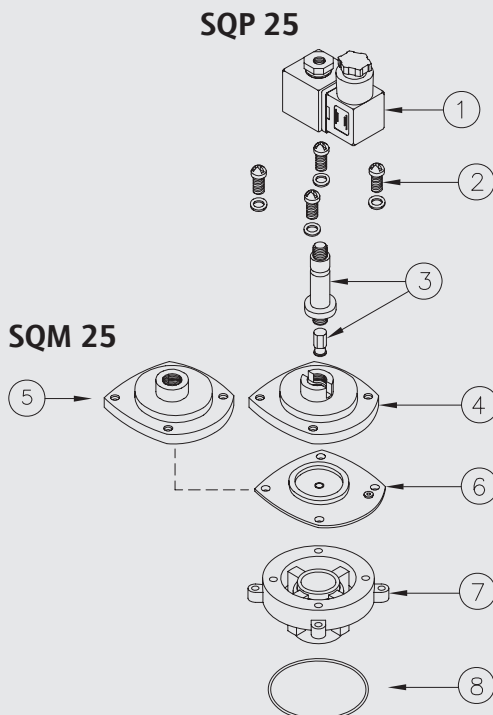


**CARACTERISTICS**

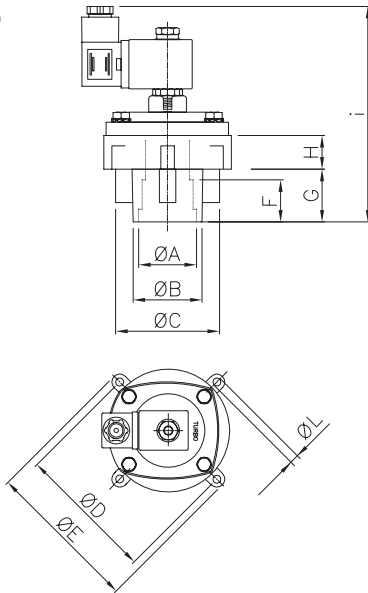
<b>Fluid</b>	Filtered and oilfree compressed air
<b>Temperature range</b>	STD diaphragm -40°C; +80°C Viton diaphragm -30°C; +200°C
<b>Operating pressure</b>	min 0,5; max 7,5 bar
<b>Body &amp; cover</b>	Die cast aluminium
<b>Core tube</b>	Stainless Steel
<b>Plunger</b>	Stainless Steel
<b>Screws</b>	Stainless Steel
<b>Coil insulation</b>	Class H
<b>Connector</b>	PG 9; IP65 DIN 43650 ISO 4400
<b>Standard voltages</b>	230 -110 - 24V / 50-60VHz 19 VA 24VDC 15W

DESCRIPTION	SQP25/SQM25
1 Coil+Connector	BH10...V/50-60Hz
2 Screws+Washer	VTE6x20+VROS6
3 Pole assembly	GPC 10
4 Cover	TCOP 25
5 Cover remote operated	TCOP25FM
6 Diaphragm	M25
7 Body	TCOR25IM
8 O-Ring	OR 65x4

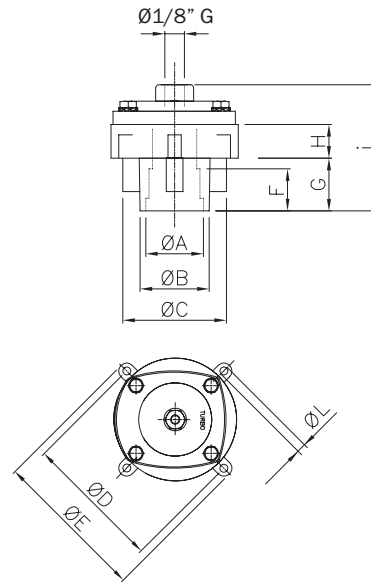
**SQPO** Integral solenoid pilot version  
**SQMO** Remote pilot version



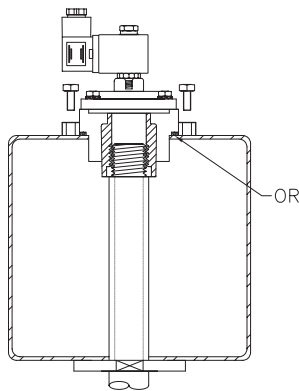
**SQP 25**



**SQM 25**



**Installation SQP 25/ SQM 25**



Model	Ø A	Ø B	Ø C	Ø D	Ø E	Ø M	F	G	H	I	Ø L	Weight (Kg)
<b>SQP 25</b>	1"	41,4	62,2	104	116	92	25	31,5	20,2	136	6,2	0,6
<b>SQM 25</b>	1"	41,4	62,2	104	116	92	25	31,5	20,2	78	6,2	0,5

SQ Series Ø 1"1/2



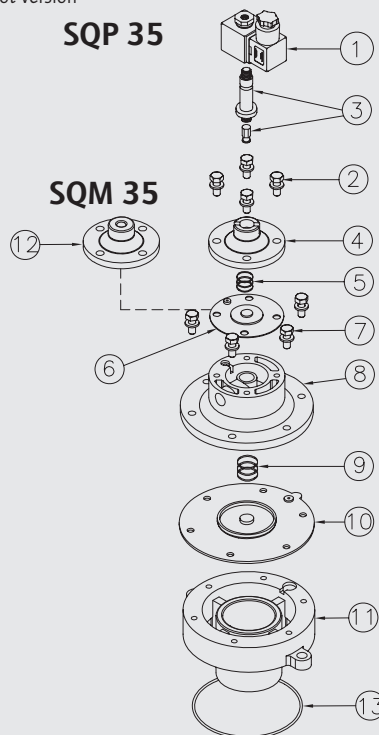
**CARACTERISTICS**

<b>Fluid</b>	Filtered and oilfree compressed air
<b>Temperature range</b>	STD diaphragm -40°C; +80°C Viton diaphragm -30°C; +200°C
<b>Operating pressure</b>	min. 0,5; max 7,5 bar
<b>Body &amp; cover</b>	Die cast aluminium
<b>Core tube</b>	Stainless Steel
<b>Plunger</b>	Stainless Steel
<b>Screws</b>	Stainless Steel
<b>Coil insulation</b>	Class H
<b>Connector</b>	PG 9; IP65 DIN 43650 ISO 4400
<b>Standard voltages</b>	230 -110 - 24V / 50-60VHz 19 VA 24VDC 15W

DESCRIPTION	SQP35/SQM35
1 Coil+Connector	BH10...V/50-60Hz
2 Screws+Washer	VTE6x20+VROS6
3 Pole assembly	GPC 10
4 Cover	TCOP 10
5 Spring	TMOL25
6 Diaphragm	M10
7 Screws+Washer	VTE8x20+VROS8
8 Main cover	TCOP35N
9 Spring	TMOL40
10 Main diaphragm	M35-S
11 Body	TCOR35FMGS
12 Cover remote operated	TCOP10FM
13 O-Ring	OR 6337

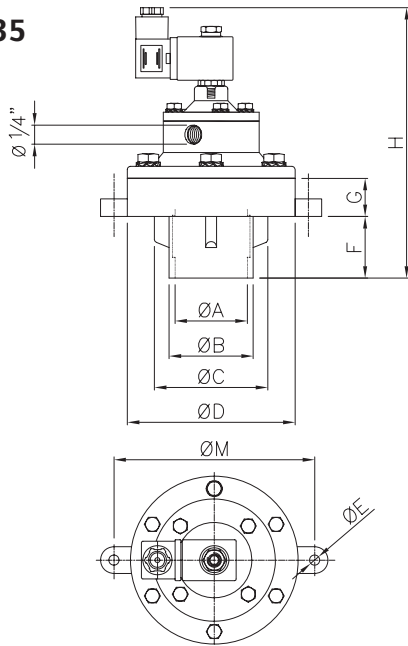
**SQPO** Integral solenoid pilot version

**SQMO** Remote pilot version

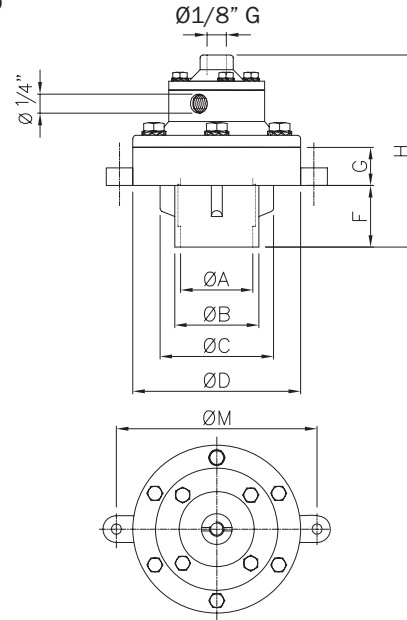


Dimensions  $\varnothing 1\frac{1}{2}$  **SQ** Series

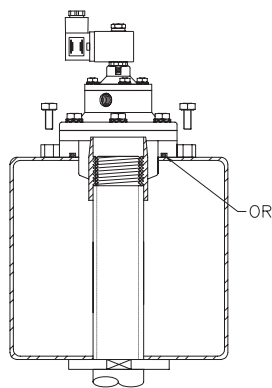
**SQP 35**



**SQM 35**



**Installation SQP 35**



Model	Ø A	Ø B	Ø C	Ø D	Ø E	F	G	H	Ø M	Weight (Kg)
<b>SQPO 35</b>	1"½	57	80,4x70,3	114	9	42	26	162	130	1,3
<b>SQMO 35</b>	1"½	57	80,4x70,3	114	9	42	26	104	130	1,1

SQ Series Ø 2" - 2"1/2 - 3" - 4"

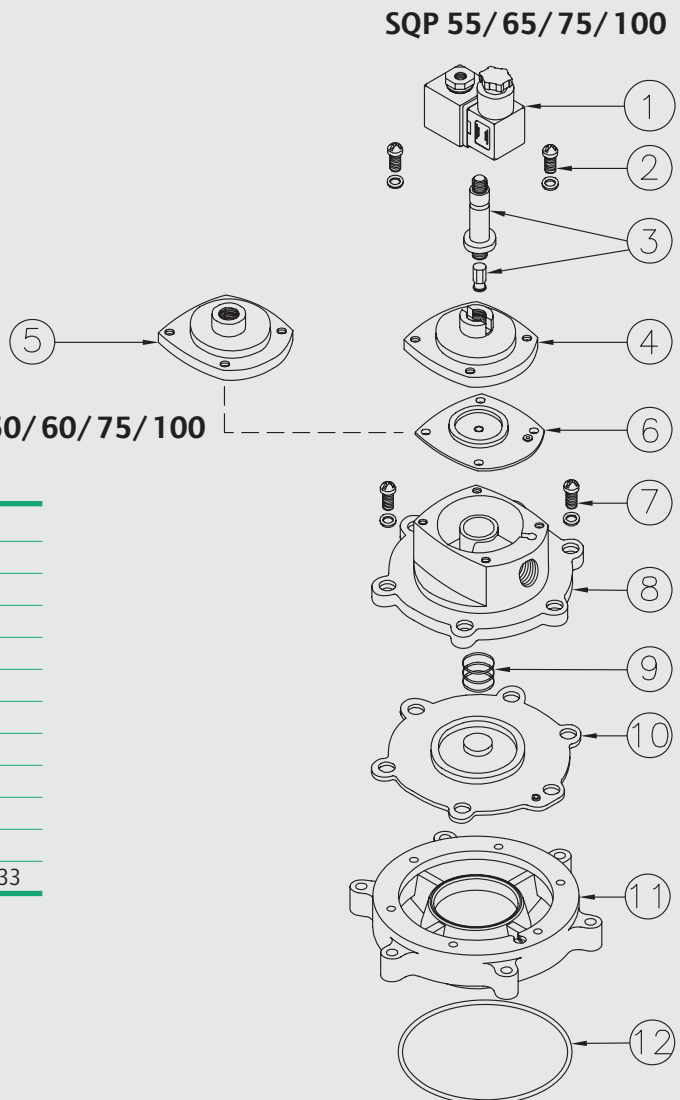


**CHARACTERISTICS**

<b>Fluid</b>	Filtered and oilfree compressed air
<b>Temperature range</b>	STD diaphragm -40°C; +80°C Viton diaphragm -30°C; +200°C
<b>Operating pressure</b>	min. 0,5; max 7,5 bar
<b>Body &amp; cover</b>	Die cast aluminium
<b>Core tube</b>	Stainless Steel
<b>Plunger</b>	Stainless Steel
<b>Screws</b>	Stainless Steel
<b>Coil insulation</b>	Class H
<b>Connector</b>	PG 9; IP65 DIN 43650 ISO 4400
<b>Standard voltages</b>	230 -110 - 24V / 50-60VHz 19 VA 24VDC 15W

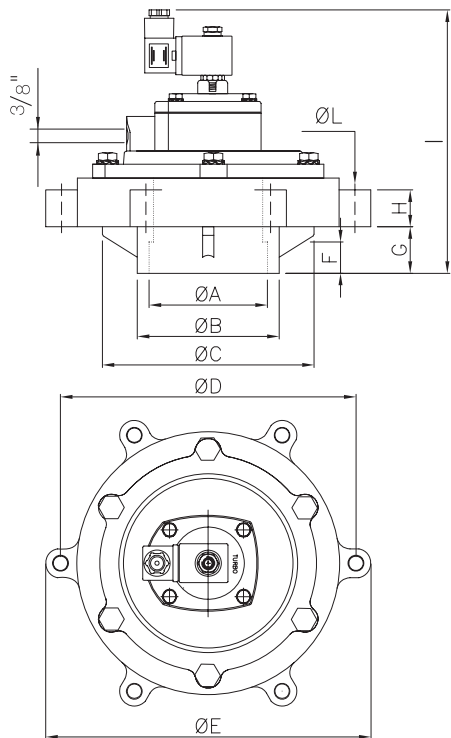
DESCRIPTION	SQP55/65
1 Coil+Connector	BH10...V/50-60Hz
2 Screws+Washer	VTE6x20+VROS6
3 Pole assembly	GPC 10
4 Cover	TCOP 25
5 Cover remote operate	TCOP25FM
6 Diaphragm	M25
7 Screws+Washer	VTE10x20+VROS10
8 Cover	TCOP50G
9 Spring	TMOL40
10 Main diaphragm	M50
11 Body	TCOR50FG - TCOR60FG
12 O-Ring	OR 133 35x5,33

DESCRIPTION	SQP75/100
1 Coil+Connector	BH10...V/50-60Hz
2 Screws+Washer	VTE6x20+VROS6
3 Pole assembly	GPC 10
4 Cover	TCOP 25
5 Cover remote operate	TCOP25FM
6 Diaphragm	M25
7 Screws+Washer	VTE10x25+VROS10
8 Cover	TCOP65G
9 Spring	TMOL40
10 Main diaphragm	M75
11 Body	TCOR75FLQ - TCOR100FLQ
12 O-Ring	OR 177 17x6,99 - OR 100 17x5,33

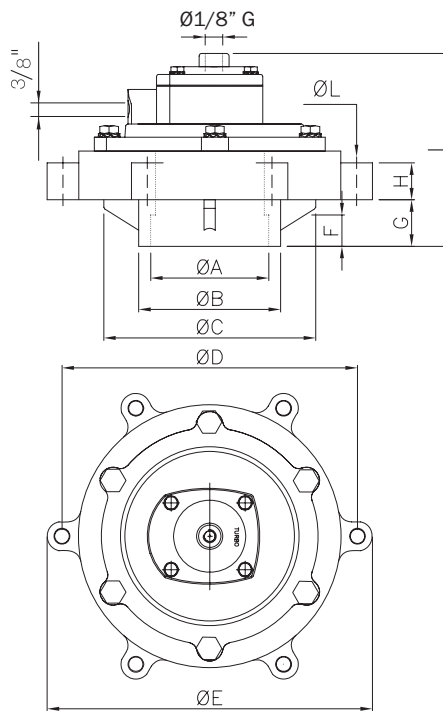


Dimensions Ø 2" - 2"½ - 3" - 4" **SQ** Series

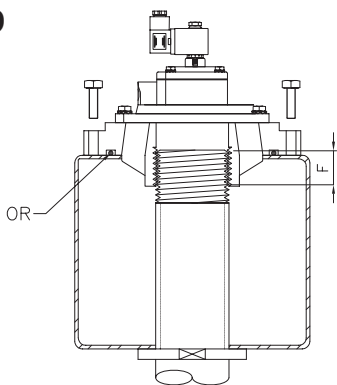
**SQP 50/60/75/100**



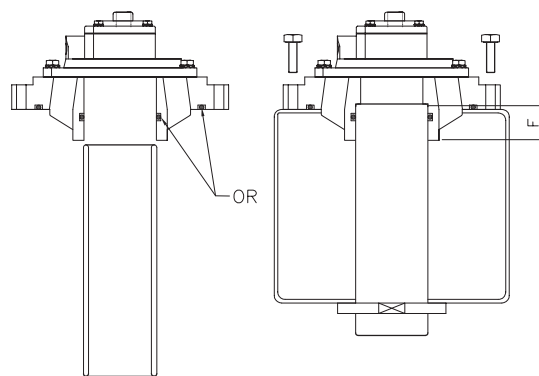
**SQM 50/60/75/100**



**SQM 50/60**  
**SQP 50/60**



**SQM 75/100 PUSH IN**  
**SQP 75/100 PUSH IN**



Model	Ø A	Ø B	Ø C	Ø D	Ø E	F	G	H	I	Ø L	Weight (Kg)
<b>SQP 50</b>	2"	83	126	175	195	39	60	20	211	11	2,4
<b>SQP 60</b>	2"½	83	126	175	195	39	60	20	211	11	2,2
<b>SQP 75-IN</b>	3"	107,5	161	225	247	44	35,5	27	206	11	3,6
<b>SQP 100-IN</b>	4" (101,6 mm)	119,5	161	225	247	44	35,5	27	206	11	3,5
<b>SQM 50</b>	2"	83	126	175	195	39	60	20	153	11	2,2
<b>SQM 60</b>	2"½	83	126	175	195	39	60	20	153	11	2
<b>SQM 75-IN</b>	3"	107,5	161	225	247	44	35,5	27	148	11	3,6
<b>SQM 100-IN</b>	4" (101,6 mm)	119,5	161	225	247	44	35,5	27	148	11	3,3